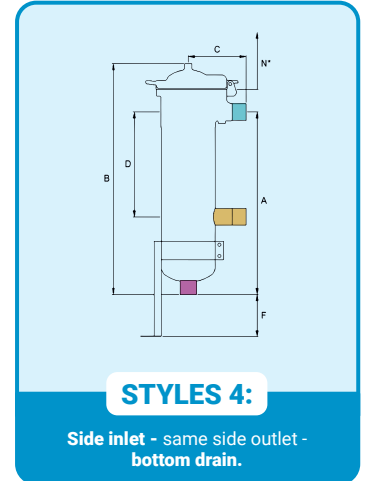
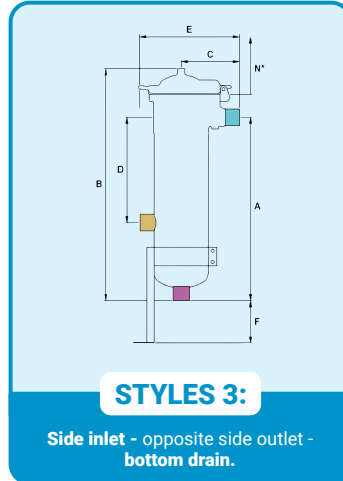
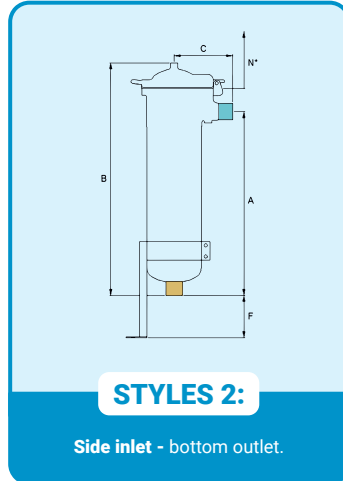
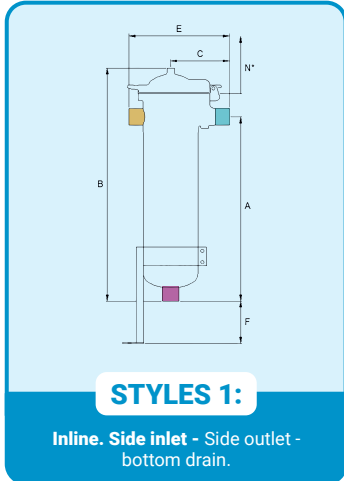


STYLES / DIMENSIONS



CUSTOMISATION AND FLEXIBILITY

Our range of filter housings is offered with a comprehensive choice of inlet and outlet orientations.

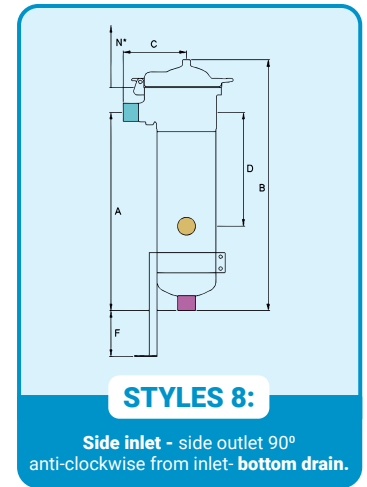
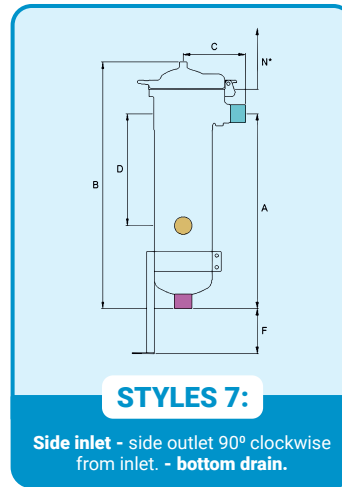
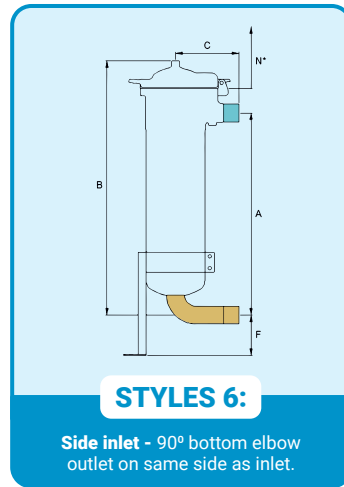
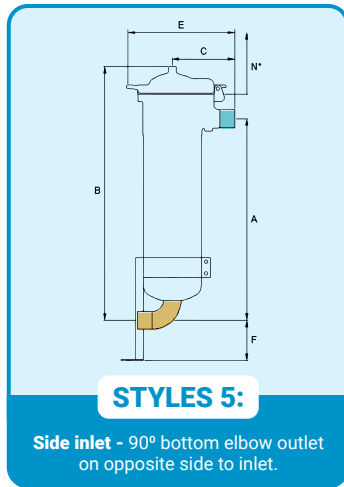


MODEL	CONNECTION TYPE	STYLE	A	B	C	D	E	F	N*
RBFP13	1" BSP (F)	2	299	392	94				180
RBFP13	1" Flanged	2	301	394	123				180
RBFP14	1" BSP (F)	2	439	532	94				320
RBFP14	1" Flanged	2	441	534	123				320
RBFP11	2" BSP (F)	2	506	623	143			80-280	340
RBFP11	2" BSP (F)	3	606	723	143	425	286	0-190	340
RBFP11	2" BSP (F)	4,7,8	606	723	143	425		0-190	340
RBFP11	2" BSP (F)	5	527	644	143		286	60-260	340
RBFP11	2" BSP (F)	6	527	644	143			60-260	340
RBFP11	2" Flanged	2	516	993	176			70-270	340
RBFP11	2" Flanged	3	606	723	176	425	352	0-190	340
RBFP11	2" Flanged	4,7,8	606	723	176	425		0-190	340
RBFP11	2" Flanged	5	527	644	176		352	0-190	340
RBFP11	2" Flanged	6	527	644	176			0-190	340
RBFP12	2" BSP (F)	2	876	993	143			0-280	710
RBFP12	2" BSP (F)	3	976	1093	143	795	286	0-190	710
RBFP12	2" BSP (F)	4,7,8	976	1093	143	795		0-190	710
RBFP12	2" BSP (F)	5	897	1014	143		286	60-260	710
RBFP12	2" BSP (F)	6	897	1014	143			60-260	710
RBFP12	2" Flanged	2	886	1003	176			0-270	710
RBFP12	2" Flanged	3	976	1093	176	795	352	0-190	710
RBFP12	2" Flanged	4,7,8	976	1093	176	795		0-190	710
RBFP12	2" Flanged	5	897	1014	176		352	90-260	710
RBFP12	2" Flanged	6	897	1014	176			90-260	710
RBFB13	1" BSP (F)	2	299	383	94				180
RBFB13	1" Flanged	2	301	386	123				180
RBFB14	1" BSP (F)	2	439	523	94				320
RBFB14	1" Flanged	2	441	526	123				320
RBFB11	2" BSP (F)	2	506	718	143			80-280	340
RBFB11	2" BSP (F)	3	606	818	143	425	286	0-190	340
RBFB11	2" BSP (F)	4,7,8	606	818	143			0-190	340
RBFB11	2" BSP (F)	5	527	739	143		286	60-260	340
RBFB11	2" BSP (F)	6	527	739	143			60-260	340
RBFB11	2" Flanged	2	516	728	176			70-270	340
RBFB11	2" Flanged	3	606	818	176	425	352	0-190	340
RBFB11	2" Flanged	4,7,8	606	818	176	425		0-190	340
RBFB11	2" Flanged	5	527	739	176		352	90-260	340
RBFB11	2" Flanged	6	527	739	176			90-260	340

Such customisation and flexibility of design is a standard option.

Different orientations of inlet and outlet are referred to as housing "Styles". The cost of labour and materials associated with vessel installation can be substantially reduced if the most convenient style has been selected. Complex pipework arrangements are avoided and result in an economical solution to your needs.

WE OFFER A STANDARD CHOICE OF 8 STYLES AND OTHER ORIENTATIONS ARE AVAILABLE ON SPECIAL REQUEST.



MODEL	CONNECTION TYPE	STYLE	A	B	C	D	E	F	N*
RBFD12	2" BSP (F)	2	876	1088	143			0-280	710
RBFD12	2" BSP (F)	3	976	1188	143	795	286	0-190	710
RBFD12	2" BSP (F)	4,7,8	976	1188	143	795		0-190	710
RBFD12	2" BSP (F)	5	897	1109	143		286	60-260	710
RBFD12	2" BSP (F)	6	897	1109	143			60-260	710
RBFD12	2" Flanged	2	886	1098	176			0-270	710
RBFD12	2" Flanged	3	976	1188	176	795	352	0-190	710
RBFD12	2" Flanged	4,7,8	976	1188	176	795		0-190	710
RBFD12	2" Flanged	5	897	1109	176		352	90-260	710
RBFD12	2" Flanged	6	897	1109	176			90-270	710
HD13	1" BSP (F)	1	199	326	138		240		180
HD13	1" BSP (F)	2	199	326	138				180
HD13	1" Flanged	1	199	326	160		280		180
HD13	1" Flanged	2	204	331	160				180
HD14	1" BSP (F)	1	334	461	138		240		320
HD14	1" BSP (F)	2	334	461	138				320
HD14	1" Flanged	1	334	461	160		280		320
HD14	1" Flanged	2	339	466	160				320
HD11	2" BSP (F)	1	336	559	236		390	190-250	340
HD11	2" BSP (F)	2	336	559	236			190-250	340
HD11	2" BSP (F)	1	387	580	236		368	170-230	340
HD11	2" BSP (F)	2	387	580	236			170-230	340
HD11	2" Flanged	1	366	559	257		427	190-250	340
HD11	2" Flanged	2	373	566	257			185-245	340
HD11	2" Flanged	5	387	580	257		427	170-230	340
HD11	2" Flanged	6	387	580	257			170-230	340
HD12	2" BSP (F)	1	740	933	236		390	0-155	710
HD12	2" BSP (F)	2	740	933	236			0-250	710
HD12	2" BSP (F)	3	740	933	236	525	390	0-155	710
HD12	2" BSP (F)	4,7,8	740	933	236	525		0-155	710
HD12	2" BSP (F)	5	761	954	236		368	40-230	710
HD12	2" BSP (F)	6	761	954	236			40-230	710
HD12	2" Flanged	1	740	933	257		427	0-150	710
HD12	2" Flanged	2	747	940	257			0-245	710
HD12	2" Flanged	3	740	933	257	525	427	0-150	710
HD12	2" Flanged	4,7,8	740	933	257	525		0-150	710
HD12	2" Flanged	5	761	954	257		427	90-230	710
HD12	2" Flanged	6	761	954	257			90-230	710

ALL DIMENSIONS (mm) ARE NOMINAL, NOT TO BE USED FOR INSTALLATION PURPOSES.
N = bag removal height.